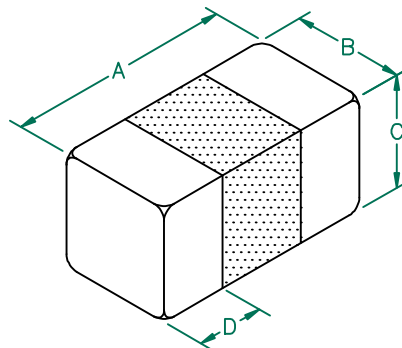


# LI0201B121R-10

**UNCONTROLLED DOCUMENT**

PHYSICAL DIMENSIONS:

A	0.60 [.024]	+ / -	0.03 [.001]
B	0.30 [.012]	+ / -	0.03 [.001]
C	0.30 [.012]	+ / -	0.03 [.001]
D	0.15 [.006]	+ / -	0.05 [.002]



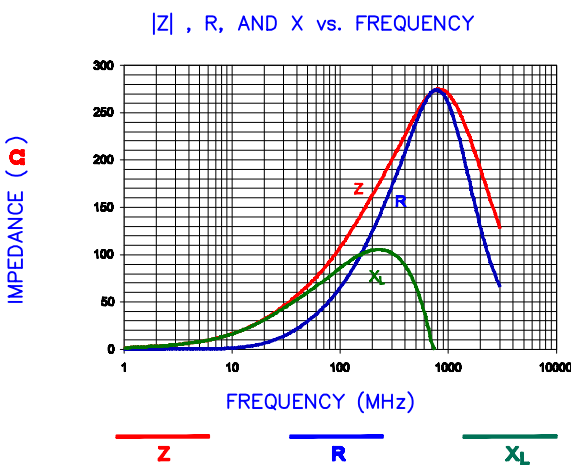
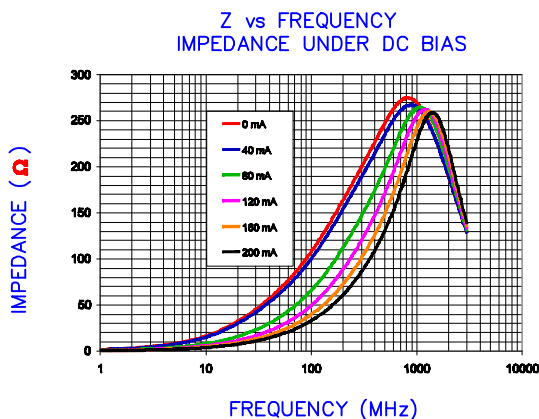
ELECTRICAL CHARACTERISTICS:

Z @ 100MHz (Ω)		DCR (Ω)	Rated Current
Nominal	120		
Minimum	90		
Maximum	150	.80	200 mA

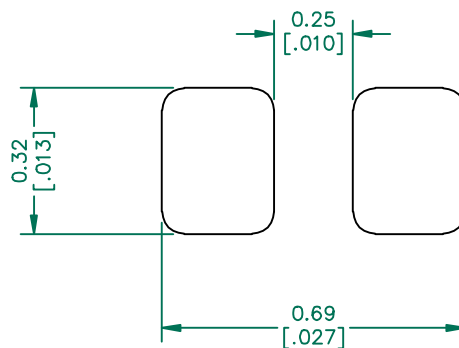


NOTES: UNLESS OTHERWISE SPECIFIED

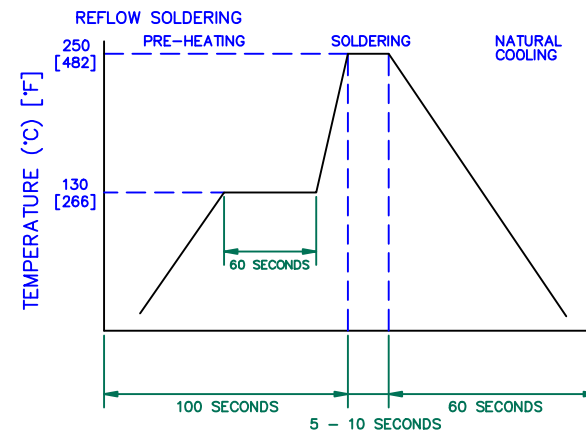
1. TAPED AND REELED per CURRENT EIA SPECIFICATIONS 7" REELS, 15,000 PCS/REEL, PAPER TAPE.
2. TERMINATION FINISH IS 100% TIN.
3. COMPONENTS SHOULD BE ADEQUATELY PREHEATED BEFORE SOLDERING.



LAND PATTERNS FOR REFLOW SOLDERING



RECOMMENDED SOLDERING CONDITIONS



AGILENT E4991A RF Impedance/Material Analyzer  
AGILENT 16196C Test Fixture. Test Ref. 6274



DIMENSIONS ARE IN mm [INCHES].				This print is the property of Laird Tech. and is loaned in confidence subject to return upon request and with the understanding that no copies shall be made without the written consent of Laird Tech. All rights to design or invention are reserved.			
PROJECT/PART NUMBER:				L10201B121R-10			
REV C				PART TYPE: CO-FIRE		DRAWN BY: JRK	
C CORRECT DCR VALUE ADD TEST REF. 09/04/08 JRK				DATE: 07/07/08		SCALE: NTS	
B ADD CURVES 08/20/08 JRK				GAD # L10201B121R-10-C		TOOL # -	
A ORIGINAL DRAFT 07/07/08 JRK				SHEET: 2 of 2			
REV DESCRIPTION				DATE INT			